

MOUNTING THE MICRO

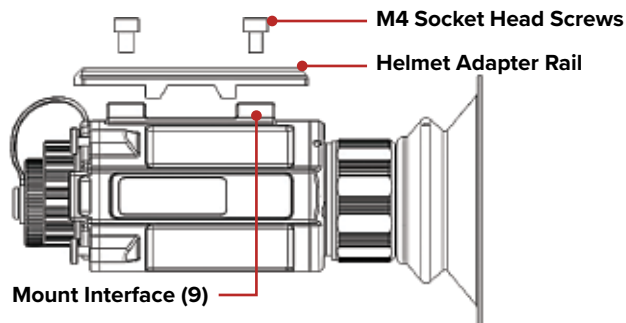
Mounting on a Helmet

The RICO MICRO Series can be mounted to a helmet using the helmet adapter rail (included) and additional MUM-14 style interface hardware (not included), or with the optional PICTAIL system. See **Selecting a Working Mode** on page 16 of the user manual for more information.

NOTE: Torque all hardware to a maximum of 15 inch-pounds (in/lbs) unless noted otherwise. **Please note, torque is inch-pounds, NOT foot-pounds.** If you do not have a torque wrench, apply until snug. Do not over-tighten. No threadlocker is required for proper use; but if you do decide to use a threadlocker, use only a small amount of low-strength LOCTITE 222.

MOUNTING WITH THE OEM HELMET ADAPTER

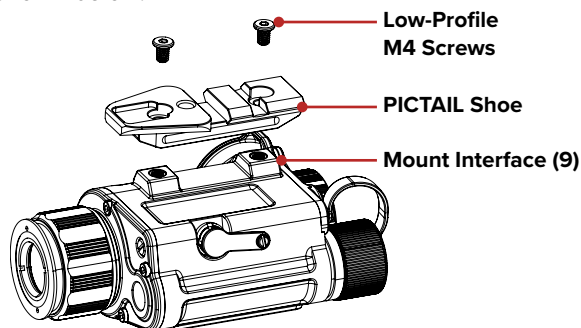
1. Install the OEM helmet adapter rail onto the mount interface (9) using the two included M4×6mm socket head screws.



2. Finish mounting to your helmet with compatible MUM-14 style interface hardware.

MOUNTING WITH THE OPTIONAL PICTAIL SHOE

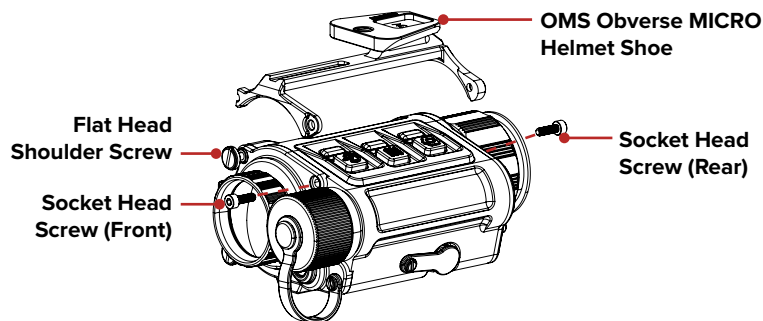
1. Install the PICTAIL shoe (IRAY-AC52) onto the mount interface (9) with the narrow end of the dovetail facing toward the eyepiece as shown below.



2. Thread in the low-profile M4 screws included with the PICTAIL shoe to 15 in/lbs.
3. Finish mounting to your helmet with compatible dovetail-style helmet interface hardware.

MOUNTING WITH THE OPTIONAL OMS OBVERSE MICRO HELMET SHOE

1. Place the OMS Obverse MICRO Helmet Shoe (IRAY-AC53) on the MICRO with the narrow end of the dovetail facing towards the eyepiece as shown below. Notice the two front and one rear in-body screws that correspond to the openings in the OMS Shoe (see below).



2. Remove the socket head screws using a 2mm hex key but leave the flathead shoulder screw installed.
3. Apply the OMS and re-install the socket head screws through the screw holes in the OMS Shoe.
4. Tighten until snug, taking care to not damage the threads in the body of MICRO.
5. Finish mounting to your helmet with compatible dovetail-style helmet interface hardware.

Mounting on a Weapon

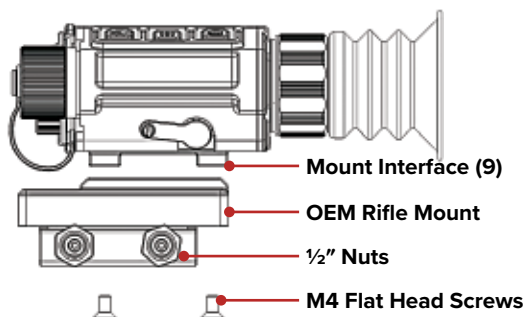
The MICRO may be used with (clip-on mode) or without (standalone mode) a rifle scope. See **Selecting a Working Mode** on page 16 of the user manual for more information.

CAUTION: Before attempting to install your RICO MICRO on a weapon, please guarantee that your firearm is unloaded, and the muzzle is pointed in a safe direction.

NOTE: Torque all hardware to a maximum of 15 inch-pounds (in/lbs) unless noted otherwise. **Please note, torque is inch-pounds, NOT foot-pounds.** If you do not have a torque wrench, apply until snug. Do not over-tighten. No threadlocker is required for proper use; but if you do decide to use a threadlocker, use only use a small amount of low-strength LOCTITE 222.

MOUNTING WITH THE OEM RIFLE MOUNT

1. Install the OEM Rifle Mount onto the MICRO mount interface (9) as shown below using the included two M4×8mm flat head screws.



2. Torque the M4×8mm flat head screws until snug with the included hex key or to 15 in/lbs with a torque wrench.
3. Place the MICRO on your weapon and adjust the tension of the 1/2-inch nuts on the left side of the mount to 20 in/lbs.

NOTE: The OEM Rifle Mount is spring-loaded and features a built-in shock-reduction system. Front-to-back movement is a normal part of its design and will not impact accuracy.

MOUNTING WITH THE OPTIONAL PICTAIL SHOE AND MQD RIFLE MOUNT

The PICTAIL and MQD mount work in tandem to achieve an adjustable footprint on any standard Picatinny rail. In standalone mode, they produce over 4.5 inches of rear offset for proper eye relief. When reversed for use in clip-on mode, the MQD and PICTAIL shrink the rear offset to just 1.5 inches. In clip-on mode, the required forward rail space is just 4 rail slots in front of a day optic making the PICTAIL and MQD the perfect combination for shorter platforms like SBRs and pistols.

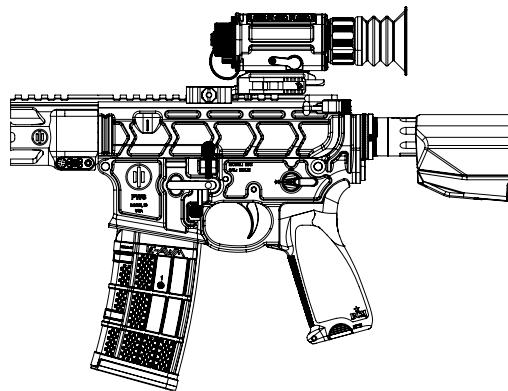
1. Install the PICTAIL shoe to the MICRO. See **Mounting with the Optional PICTAIL Shoe** on the previous page.
2. Unlock the MQD mount by depressing the lock button on the tension lever and swinging 180° to the open position.
3. Install the MQD onto the rail of your weapon and move the lever to the locked position.
4. Finally, check the tension required to lock the tension lever. To adjust the tension:
 - a. Move the lever to the open position and push the lever toward the base. This will make the adjustment nut protrude on the opposite side of the base.
 - b. With the nut protruding, it may be turned to the right or the left to make the necessary adjustment. You will need NO tools for this step.

NOTE: The amount of tension you set will depend on your personal preference. You should not have to fight to open or close the tension lever; you should be able to move it easily with one hand.

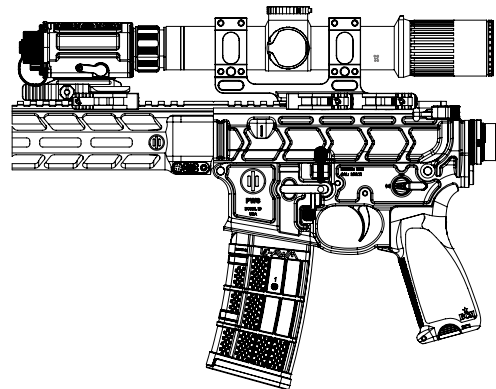
NOTE: If tension adjustments are needed between the PICTAIL Shoe and the MQD, please follow the tension adjustment instructions on the previous page.

5. Mount the MICRO to the MQD:

- a. For standalone weapon optic use, mount the MICRO to the MQD, oriented so that the MQD is extending past the front of the objective lens as shown below.



- b. For clip-on use, mount the MICRO to the MQD, oriented so that the MQD is NOT extending past the front of the objective lens as shown below.



NOTE: We recommend going no higher than 6× on any rifle scope used in clip-on mode as image performance will become unsatisfactory.